



CML Semiconductor Products

PRODUCT INFORMATION

FX429 Band III FFSK Modem for Trunked Radio Systems

Publication D/429/6 July 1994

Features/Applications

- Band III and General Purpose Trunked Radio Applications
- Full-Duplex 1200 Baud Operation
- High Intelligence
- Error Checking in Receive
- Error Check Word Generation
- Frame SYNC and SYNT Detection
- Preamble Generation
- μ Processor Compatible Interface
- Carrier Detection On-Chip
- Low Power Consumption
- General Purpose Timer

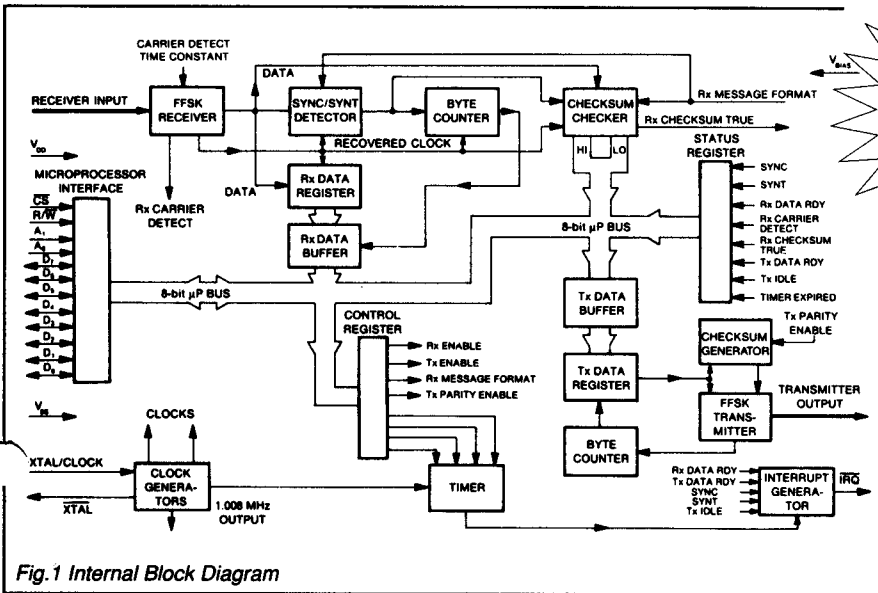


Fig.1 Internal Block Diagram

Brief Description

The FX429 is a single-chip CMOS 1200 baud FFSK Modem, designed primarily for use in trunked radio systems but may also be employed in other general purpose radio or line data communication applications.

The device has been designed to conform to the UK Band III trunked radio protocols MPT 1317/1327.

The FX429 is full duplex at 1200 baud and includes an 8-bit parallel microprocessor interface and a programmable timer which may be set for interrupt periods of 8 to 120 bits.

Preamble and an error-check word are automatically generated in the transmit mode.

Error checking is performed and the 16-bit SYNC or SYNT words are detected in the receive mode.

An on-chip Xtal/clock generator requiring an external 4.032MHz Xtal or clock input provides all microcircuit filter sampling clocks and modem timings whilst also supplying a "Clock + 4" output (1.008MHz).

The FX429, which has a powersaving facility, requires a single 5-volt power supply and is available in both cerdip DIL and plastic SMD packages.

Pin Number

Function

DIL Quad
FX429J FX429LG/LS

1 1
2 2
3 4
5 5
6 6
7 7
8 8
9 9
10 10
11 11
12 12
13 13
14 14
15 15
16 16
17 17
18 18
19 19
20 20
21 21
23 22
24 23
4, 22 3, 24

V_{BIAS} : The internal circuitry bias line, held at V_{DD}/2 this pin must be decoupled to V_{SS} by capacitor C₄, see Figure 3. **Warning Note** – In order to reduce current consumption, the potential at this pin is lowered to V_{SS} when both Tx and Rx are disabled.

Transmit Output : The 1200 baud, 1200Hz/1800Hz FFSK Tx output. When not enabled by the Control Register (D₀) its output impedance is set high.

Receiver Input : The 1200 baud received FFSK signal input. The 1200Hz/1800Hz audio to this pin must be a.c. coupled via capacitor C₃, see Figure 3.

V_{DD} : Positive Supply. A single +5V regulated supply is required. It is recommended that this power rail be decoupled to V_{SS} by capacitor C₆, see Figure 3.

Carrier Detect Time Constant : The on-chip Carrier Detect integration function requires two external components on this pin. A capacitor, C₅, to V_{SS}, together with a resistor, R₂, to V_{DD}. See Figure 3.

Xtal/Clock : The input to the clock oscillator inverter. A 4.032 MHz Xtal or externally derived clock pulse input should be connected here. See Figure 3.

Xtal : The output of the 4.032 MHz clock oscillator.

D₀ : **Microprocessor Data Interface**
D₁ :
D₂ :
D₃ : These 8 lines are used by the device to communicate with a microprocessor
D₄ : with the A₂, A₀ and A₁ inputs determining register selection.
D₅ :
D₆ :
D₇ :

A₀ : **Register Selection.** These inputs, with the A₂ input, select the required register to the data bus as shown in Table 1 (below).
A₁ :

Table 1

Register	A ₂	A ₀	A ₁
Control	0	1	1
Status	1	1	1
Rx Data	1	0	1
Tx Data	0	0	1
Syndrome Low	1	0	0
Syndrome High	1	1	0

Strobe : Performs the dual functions of selecting the device for Read or Write and strobing data in or out. It should be generated by gating high-order address bits with a read/write clock. The FX429 is selected when Strobe = logic "0." See Figure 5.

A₂ : Used in conjunction with A₁ and A₀ to determine which internal registers are connected to the data interface pins (D₀ – D₇) during Strobe (see Table 1 and Figure 5).

IRQ : Interrupt Request. This line will go to a logic '0' when an interrupt occurs. This output can be "wire OR'd" with other active low components (100kΩ pullup to V_{DD}). The conditions that cause the interrupts are indicated at the Status Register and are as follows:

Timer Expired *Rx Data Ready* *Tx Data Ready*
Tx Idle *Rx SYNC Detect* *Rx SYNT Detect*

V_{SS} : Negative Supply (GND).

Clock + 4 : A 1.008 MHz (X₁ + 4) clock is available at this output for external circuit use, note the source impedance and source current limits.

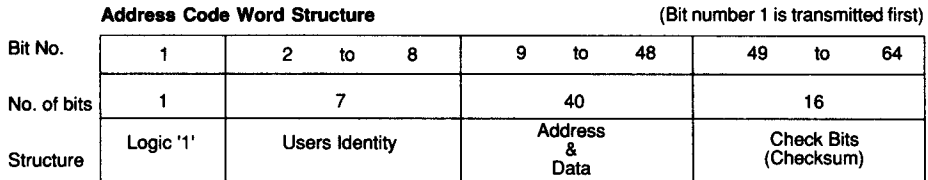
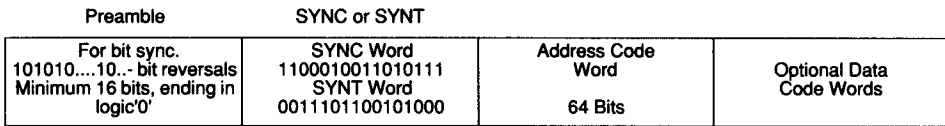
These pins are not connected internally, leave open circuit.

Modems in Mobile Data Signalling An Introduction

Digital Code Format

The recommended Digital Code Format for use over Land Mobile Radio Systems is detailed in the Department of Trade and Industry, Radio Regulatory Division's publications MPT 1317 and MPT 1327, and is as described briefly below.

Fig. 2 The Data stream – Rx and Tx at 1200baud, the minimum, overall transmission length is 96 bits.



Operation

The FX429 can be used for Full-Duplex operation with the host microprocessor only having to operate on the data whilst the modem (FX429) handles all other signalling routines and requirements.

In the Tx mode the FX429 will :-

- (1) Internally generate and transmit a preamble – bit reversals, for system bit synchronization.
- (2) Accept from the host, and transmit, a 16-bit 'SYNC' or 'SYNT' word.
- (3) Accept from the host, and transmit, 6 bytes of data (Address Code Word).
- (a) Upon a software command, internally calculate and transmit a 2-byte checksum based on the previous 6 data bytes. – or –
- (b) Upon a software command, disable internal checksum generation and allow continuous data transmission.
- (c) Transmit 1 'hang bit' and go idle when all loaded data traffic has been sent (followed by a "Tx Idle" interrupt).

In the Rx mode the FX429 will :-

- (1) Detect and achieve bit synchronization within 16 bits.
- (2) Search for and detect the 16-bit 'SYNC'/SYNT' word.
- (3) Output all received data after 'SYNC/SYNT,' in byte form.
- (4) Upon a software command (Rx Message Format), use the received checksum to calculate the presence (if any) of errors, and advise the host with an interrupt and a 16-bit Syndrome word.

Note – In Rx a software command is used to determine whether a 'SYNC'/SYNT' word is required after every 8 (6 data + 2 checksum) received bytes, or "data" is received continually.

Normally the 'SYNC' word is used on the Control data channel and the 'SYNT' word is used on the Traffic data channel.

Non MPT Application – Full-Duplex

The functions described in this section, to allow the FX429 modem to operate as a general purpose device, are obtained using the commands and indications detailed in the "Register Instructions" pages.

Tx – When enabled the device transmits a "101010.....10" preamble until data for transmission is loaded by the host microprocessor.

Transmits 6 bytes of the loaded data followed by a 2-byte checksum based on that data. As long as Tx data is loaded the transmitter will transmit, the 2-byte checksum being produced after every 6 bytes (8 byte packages). Automatic checksum generation can be inhibited by a software command to allow transmission of continuous data streams.

Rx – When enabled requires the 16-bit SYNC or SYNT word (see notes) before outputting data bytes. The modem receiver will then output continuous bytes of data, after every 6 bytes received a 2-byte checksum word will be output and can be ignored or used for error checking.

Control Register

A₁ = 1

A₀ = 1

A₂ = 0

Write Only

The Control Register, when selected, directs the modem's operation as described below.

Bit	Description	Function	Set = logic '1' (High) Clear = logic '0' (Low)																																																																																					
Bit 0 D ₀	Tx Enable *	Set – D ₀ enables the transmitter for operation. A '0 – 1' transition causes bit synchronization and the start of 1010.....10 preamble pattern transmission. At least one byte of preamble will be transmitted. If data is loaded into the Tx Data Buffer before one byte has been sent then that data will follow, otherwise whole bytes of preamble will continue until data is loaded. Clear – The Transmitter Output pin is set to a high impedance and no transmitter interrupts are produced.																																																																																						
Bit 1 D ₁	Tx Parity Enable	Set – D ₁ indicates to the transmitter that 2–byte checksums are to be generated by the modem. A '0 – 1' transition starts checksum generation on the next six bytes loaded from the Tx Data Buffer into the Tx Data Register. Checksum generation continues for every 6 bytes loaded until this bit is cleared. The transmitter will send the generated checksum (2 bytes) after the last of each 6 bytes have been sent. If an underrun (no more data loaded) condition occurs before 6 bytes have been loaded checksum generation will abort, the transmission will cease after one 'hang' bit has been sent and Bit 4 in the Status Register (Tx Idle) will be set. No checksum will be transmitted. Clear – No checksum generation is carried out and the host may supply the checksum bytes. The output is then "as written".																																																																																						
Bit 2 D ₂	Rx Enable *	Set – D ₂ enables the receiver for operation. No data is produced (i.e. No Rx Data Ready interrupts) until a 'SYNC' or 'SYNT' word is found in the received bit stream. Clear – The receiver is disabled and all interrupts caused by the receiver are inhibited.																																																																																						
Bit 3 D ₃	Rx Message Format	Set – D ₃ is sampled after a checksum has been received and allows the host to control the way the receiver handles the following data bits. If 'set' the receiver will assume that the next 6 bytes are data and will start error checking accordingly. Clear – The receiver will stop data transfer to the host after the 2 checksum bytes until another 'SYNC' or 'SYNT' frame word is received.																																																																																						
Bit 4 D ₄	Timer LSB	<p>These four bits control the timer as follows :-</p> <table border="1"> <thead> <tr> <th>D₇</th> <th>D₆</th> <th>D₅</th> <th>D₄</th> <th></th> </tr> </thead> <tbody> <tr> <td>0</td> <td>0</td> <td>0</td> <td>0</td> <td>Reset counter and disable timer interrupts</td> </tr> <tr> <td>0</td> <td>0</td> <td>0</td> <td>1</td> <td>Count and interrupt every - 8 bits</td> </tr> <tr> <td>0</td> <td>0</td> <td>1</td> <td>0</td> <td>" " " 16 bits</td> </tr> <tr> <td>0</td> <td>0</td> <td>1</td> <td>1</td> <td>" " " 24 bits</td> </tr> <tr> <td>0</td> <td>1</td> <td>0</td> <td>0</td> <td>" " " 32 bits</td> </tr> <tr> <td>0</td> <td>1</td> <td>0</td> <td>1</td> <td>" " " 40 bits</td> </tr> <tr> <td>0</td> <td>1</td> <td>1</td> <td>0</td> <td>" " " 48 bits</td> </tr> <tr> <td>0</td> <td>1</td> <td>1</td> <td>1</td> <td>" " " 56 bits</td> </tr> <tr> <td>1</td> <td>0</td> <td>0</td> <td>0</td> <td>" " " 64 bits</td> </tr> <tr> <td>1</td> <td>0</td> <td>0</td> <td>1</td> <td>" " " 72 bits</td> </tr> <tr> <td>1</td> <td>0</td> <td>1</td> <td>0</td> <td>" " " 80 bits</td> </tr> <tr> <td>1</td> <td>0</td> <td>1</td> <td>1</td> <td>" " " 88 bits</td> </tr> <tr> <td>1</td> <td>1</td> <td>0</td> <td>0</td> <td>" " " 96 bits</td> </tr> <tr> <td>1</td> <td>1</td> <td>0</td> <td>1</td> <td>" " " 104 bits</td> </tr> <tr> <td>1</td> <td>1</td> <td>1</td> <td>0</td> <td>" " " 112 bits</td> </tr> <tr> <td>1</td> <td>1</td> <td>1</td> <td>1</td> <td>" " " 120 bits</td> </tr> </tbody> </table>		D ₇	D ₆	D ₅	D ₄		0	0	0	0	Reset counter and disable timer interrupts	0	0	0	1	Count and interrupt every - 8 bits	0	0	1	0	" " " 16 bits	0	0	1	1	" " " 24 bits	0	1	0	0	" " " 32 bits	0	1	0	1	" " " 40 bits	0	1	1	0	" " " 48 bits	0	1	1	1	" " " 56 bits	1	0	0	0	" " " 64 bits	1	0	0	1	" " " 72 bits	1	0	1	0	" " " 80 bits	1	0	1	1	" " " 88 bits	1	1	0	0	" " " 96 bits	1	1	0	1	" " " 104 bits	1	1	1	0	" " " 112 bits	1	1	1	1	" " " 120 bits
D ₇	D ₆	D ₅	D ₄																																																																																					
0	0	0	0	Reset counter and disable timer interrupts																																																																																				
0	0	0	1	Count and interrupt every - 8 bits																																																																																				
0	0	1	0	" " " 16 bits																																																																																				
0	0	1	1	" " " 24 bits																																																																																				
0	1	0	0	" " " 32 bits																																																																																				
0	1	0	1	" " " 40 bits																																																																																				
0	1	1	0	" " " 48 bits																																																																																				
0	1	1	1	" " " 56 bits																																																																																				
1	0	0	0	" " " 64 bits																																																																																				
1	0	0	1	" " " 72 bits																																																																																				
1	0	1	0	" " " 80 bits																																																																																				
1	0	1	1	" " " 88 bits																																																																																				
1	1	0	0	" " " 96 bits																																																																																				
1	1	0	1	" " " 104 bits																																																																																				
1	1	1	0	" " " 112 bits																																																																																				
1	1	1	1	" " " 120 bits																																																																																				
Bit 5 D ₅	Timer																																																																																							
Bit 6 D ₆	Timer																																																																																							
Bit 7 D ₇	Timer MSB	<p>If a new timer value is written to these inputs within 1 byte period of the last timer interrupt then the next timer period will be correct without first having to reset the timer, otherwise the timer must be reset to zero and then set to the new time.</p>																																																																																						
<p>* Note –</p> <p>Enabling Times</p> <p>The time taken to enable one section (receiver or transmitter) when both sections are initially disabled is 16 bit periods. If one section (receiver or transmitter) is already enabled this time is reduced to "one-half" of a bit period.</p>																																																																																								
<p>Tx Enable</p> <p>If using the internal Tx Preamble generation facility, e.g. with the internal timer setting the preamble length, the device may occasionally produce a Tx Data Ready interrupt immediately after a Tx Enable command. User software should handle this occurrence by either:</p> <p>(a) Detecting that the Timer interrupt Status Bit is not set and that it is not appropriate to load Tx data at this time. or,</p> <p>(b) Not using the Timer. i.e. immediately after Tx enable, reading the Status Register and loading a byte of preamble. This resets any interrupt. The length of preamble transmitted is now controlled by the number of bytes loaded.</p>																																																																																								

Status Register $A_1 = 1$ $A_0 = 1$ $A_2 = 1$ **Read Only**

When an interrupt is generated the $\overline{\text{IRQ}}$ Output goes Low with the Status Register bits indicating the sources of the interrupt.

Bit	Description	Function	Set = logic '1' (High) Clear = logic '0' (Low)
Bit 0 D_0	Rx Data Ready	D_0 when set, causes an interrupt indicating that received data is ready to be read from the Rx Data Buffer. This data must be read within 8 bit periods. Set – when a byte of data is loaded into the Rx Data Buffer, if a frame (SYNC/SYNT) word has been received. Bit and Interrupt Cleared – (i) by a read of the Status Register followed by a read of the Rx Data Buffer or (ii) by Rx Enable going Low.	
Bit 1 D_1	Rx Checksum True	D_1 when set, indicates that the error checking on the previous 6 bytes agreed with the received checksum. This function, which is valid when the Rx Data Ready bit (D_0) is set for the second byte of the received checksum, does not cause an interrupt. Set – by a correct comparison between the received and generated checksums. Cleared – (i) by a read of the Status Register followed by a read of the Rx Data Buffer, or (ii) by Rx Enable going Low.	
Bit 2 D_2	Rx Carrier Detect	D_2 is a "Real Time" indication from the modem receiver's carrier detect circuit and does not cause an interrupt. When FFSK tones are present at the receiver input this bit goes High, for no FFSK input this bit goes Low. When the Rx Enable bit (D_2 – Control Register) is Low Rx Carrier Detect will go Low.	
Bit 3 D_3	Tx Data Ready	D_3 when set, causes an interrupt to indicate that a byte of data should be written to the Tx Data Buffer within 8 bit periods. Set – (i) when the contents of the Tx Data Buffer are transferred to the Tx Data Register, or (ii) when the Tx Enable is set – No interrupt is generated in this case. Bit Cleared – (i) by a read of the Status Register followed by a write to the Tx Data Buffer, or (ii) by Tx Enable going Low. Interrupt Cleared – (i) by a read of the Status Register, or (ii) by Tx Enable going Low.	
Bit 4 D_4	Tx Idle	D_4 causes an interrupt when set, to indicate that all loaded data and one 'hang' bit have been transmitted. Set – one bit period after the last byte is transmitted. This last byte could be either "checksum" or "loaded data" depending upon the Tx Parity Enable state (Control Register D_1). Bit Cleared – (i) by a write to the Tx Data Buffer, or (ii) by Tx Enable going Low. Interrupt Cleared – (i) by a read of the Status Register, or (ii) by Tx Enable going Low.	
Bit 5 D_5	Timer Interrupt	D_5 , when set, causes an interrupt to indicate that the set timer period has expired. (Control Register D_4 – D_7). Set – by the timer. Bit and Interrupt Cleared – by a read of the Status Register.	
Bit 6 D_6	Rx SYNC Detect *	D_6 , when set, causes an interrupt to indicate that a 16-bit 'SYNC' word (1100010011010111) has been detected in the received bit stream. Set – on receipt of the 16th bit of a 'SYNC' word. Bit and Interrupt Cleared – (i) By a read of the Status Register, or (ii) by Rx Enable going Low.	
Bit 7 D_7	Rx SYNT Detect *	D_7 , when set, causes an interrupt to indicate that a 16-bit 'SYNT' word (0011101100101000) has been detected in the received bit stream. Set – on receipt of the 16th bit of a 'SYNT' word. Bit and Interrupt Cleared – (i) By a read of the Status Register, or (ii) by Rx Enable going Low.	

* Note –

'SYNC' and 'SYNT' Detection is disabled whilst the checksum checker is running.

Rx Data Buffer $A_1 = 1$ $A_0 = 0$ $A_2 = 1$

Read Only

These 8 bits are the last byte of data received with bit 7 being received first. *Note the relative positions of the MSB and LSB presented in this bit stream, the position may be different to the convention used in other μ Processor peripherals.*

D_0	D_1	D_2	D_3	D_4	D_5	D_6	D_7
LSB	-	-	-	-	-	-	MSB

Tx Data Buffer $A_1 = 1$ $A_0 = 0$ $A_2 = 0$

Write Only

These 8 bits loaded to the Tx Data Buffer are the next byte of data that will be transmitted, with bit 7 being transmitted first. *Note the relative positions of the MSB and LSB presented in this bit stream, the position may be different to the convention used in other μ Processor peripherals.* If the Tx Parity Enable bit

(Control Register D_1) is set, a 2-byte checksum will be inserted and transmitted by the modem after every 6 transmitted "message" bytes.

D_0	D_1	D_2	D_3	D_4	D_5	D_6	D_7
LSB	-	-	-	-	-	-	MSB

The Syndrome Word

This 16-bit word (both Low and High bytes) may be used to correct errors.

Bits S_1 to S_{15} are the 15 bits remaining in the polynomial divider of the checksum checker at the end of 6 bytes of "received message." For a correct message all 15 bits (S_1 to S_{15}) will be zero.

The 2 Syndrome bytes are valid when the Rx Data Ready bit (Status Register D_0) is set for the second byte of the received checksum and should be read, if required, before 8 byte periods.

Syndrome Low Byte $A_1 = 0$ $A_0 = 0$ $A_2 = 1$

Read Only

D_0	D_1	D_2	D_3	D_4	D_5	D_6	D_7
S_1	S_2	S_3	S_4	S_5	S_6	S_7	S_8

Syndrome High Byte $A_1 = 0$ $A_0 = 1$ $A_2 = 1$

Read Only

D_0	D_1	D_2	D_3	D_4	D_5	D_6	D_7
S_9	S_{10}	S_{11}	S_{12}	S_{13}	S_{14}	S_{15}	PARITY ERROR

D_7 – This is a "Parity Error Bit" – Indicating an error between the received parity bit and the parity bit internally generated from the incoming message. Thus for a correctly received message all 16 bits of the Syndrome Word (S_1 to S_{15} and Parity Error) will be zero.

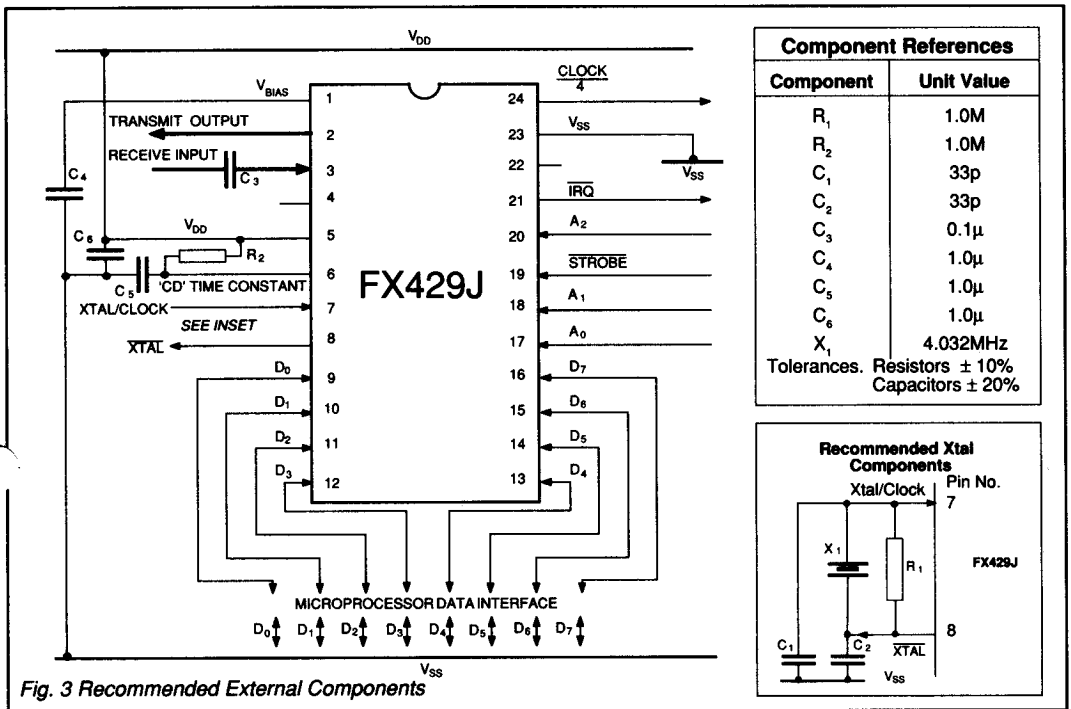


Fig. 3 Recommended External Components

Carrier Detect Time Constant

The value of the Carrier Detect capacitor, C_5 , determines the carrier detect time constant. A long time constant (larger value C_5), results in improved noise immunity but increased response time. C_5 may be varied to optimise noise immunity/reponse time.

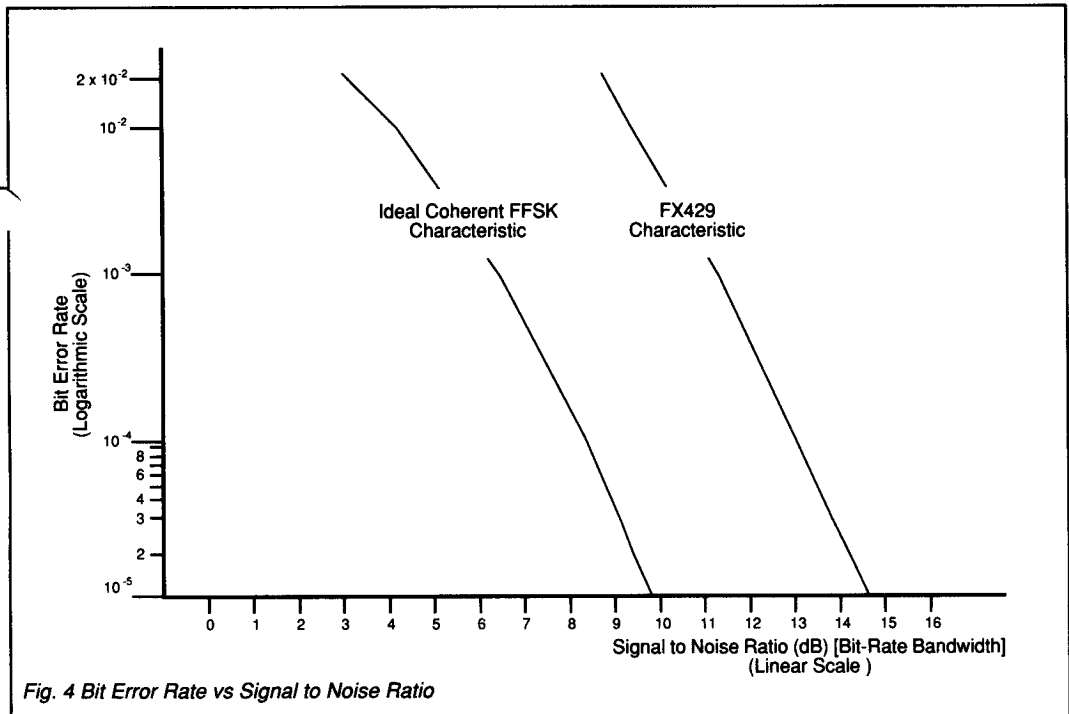
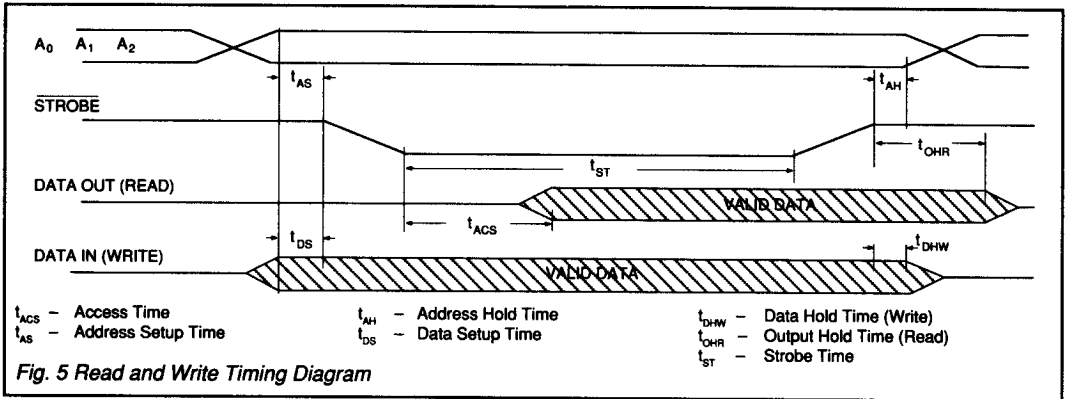
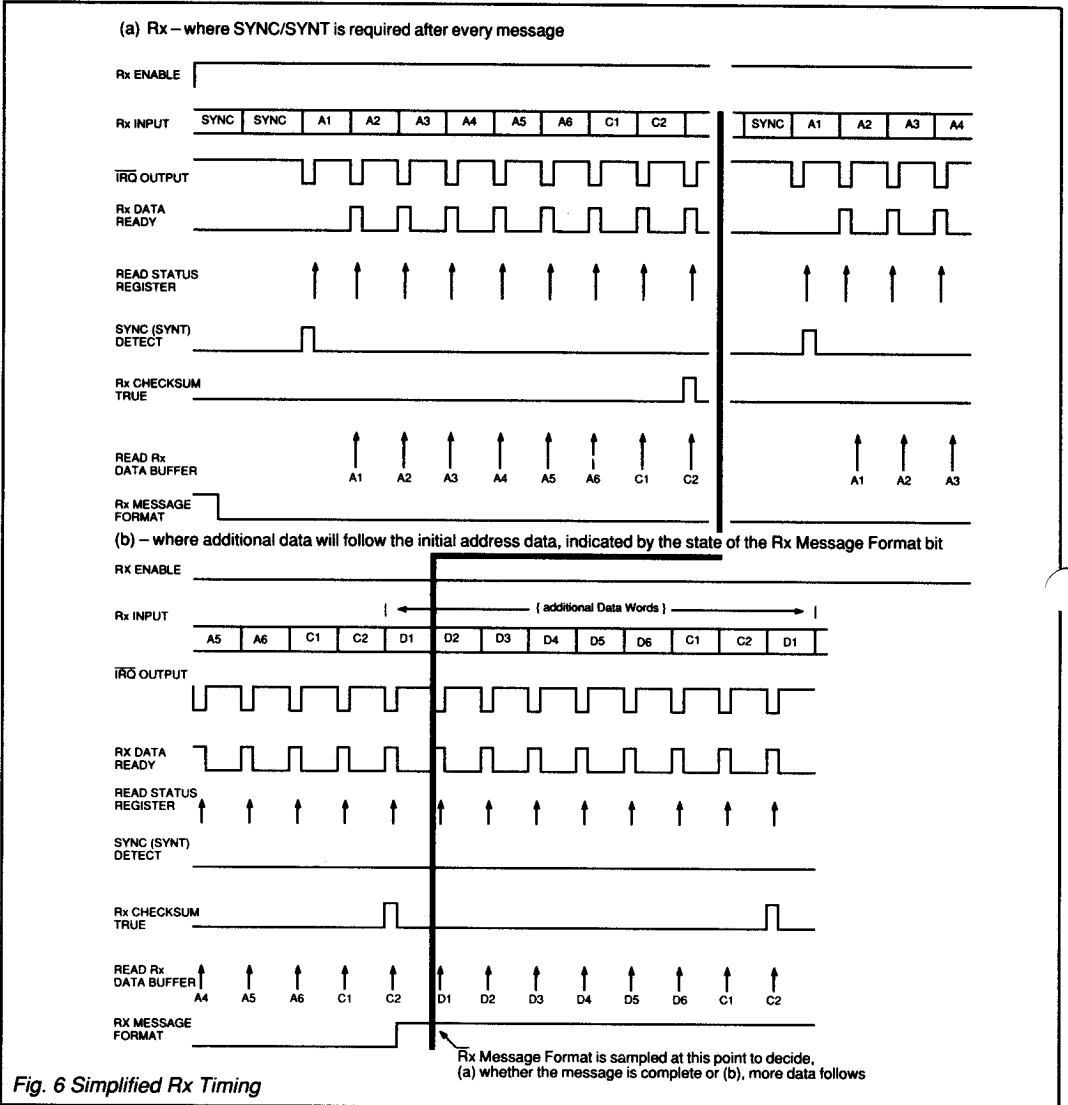


Fig. 4 Bit Error Rate vs Signal to Noise Ratio

Timing Information

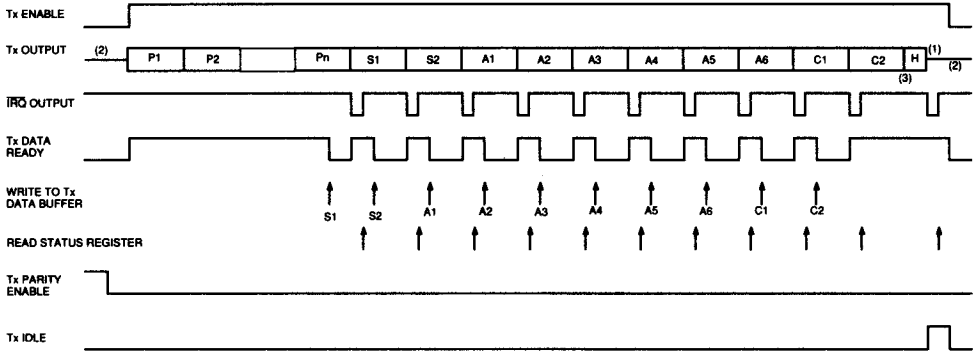


Operation - Rx

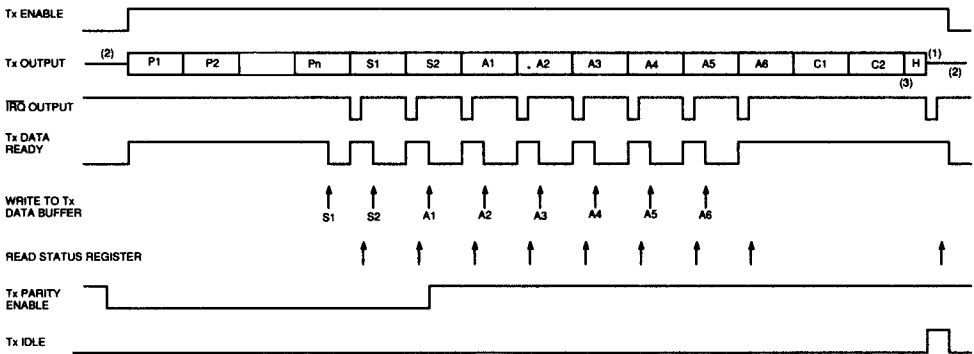


Operation - Tx

(a) Tx - one message with checksum supplied by the host



(b) Tx - one message with checksum generated internally



(c) Tx - more than one message, with checksum generated internally

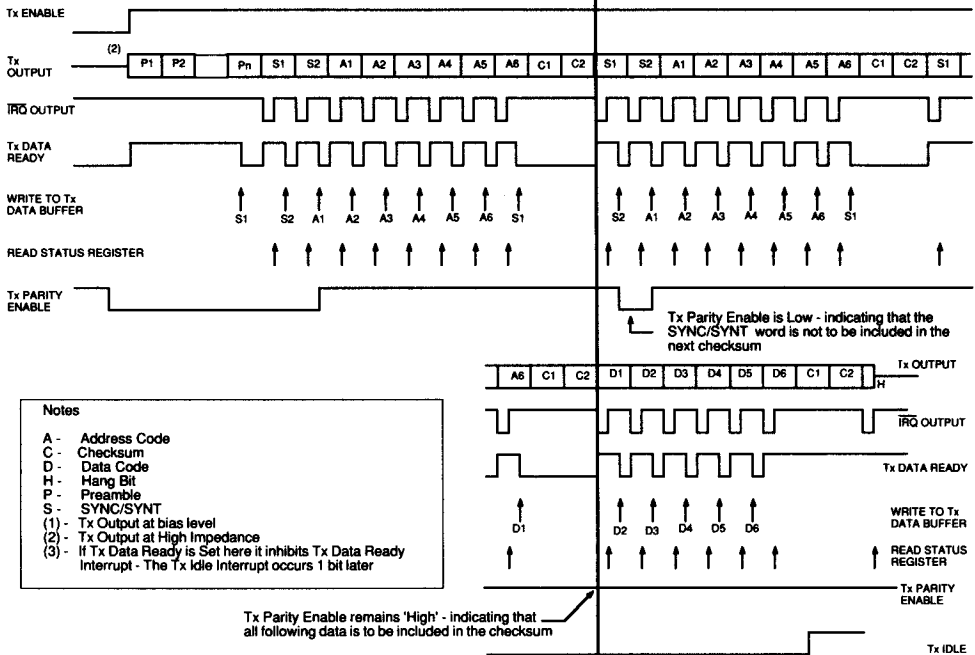


Fig. 7 Simplified Tx Timing

Basic Power-Up Software

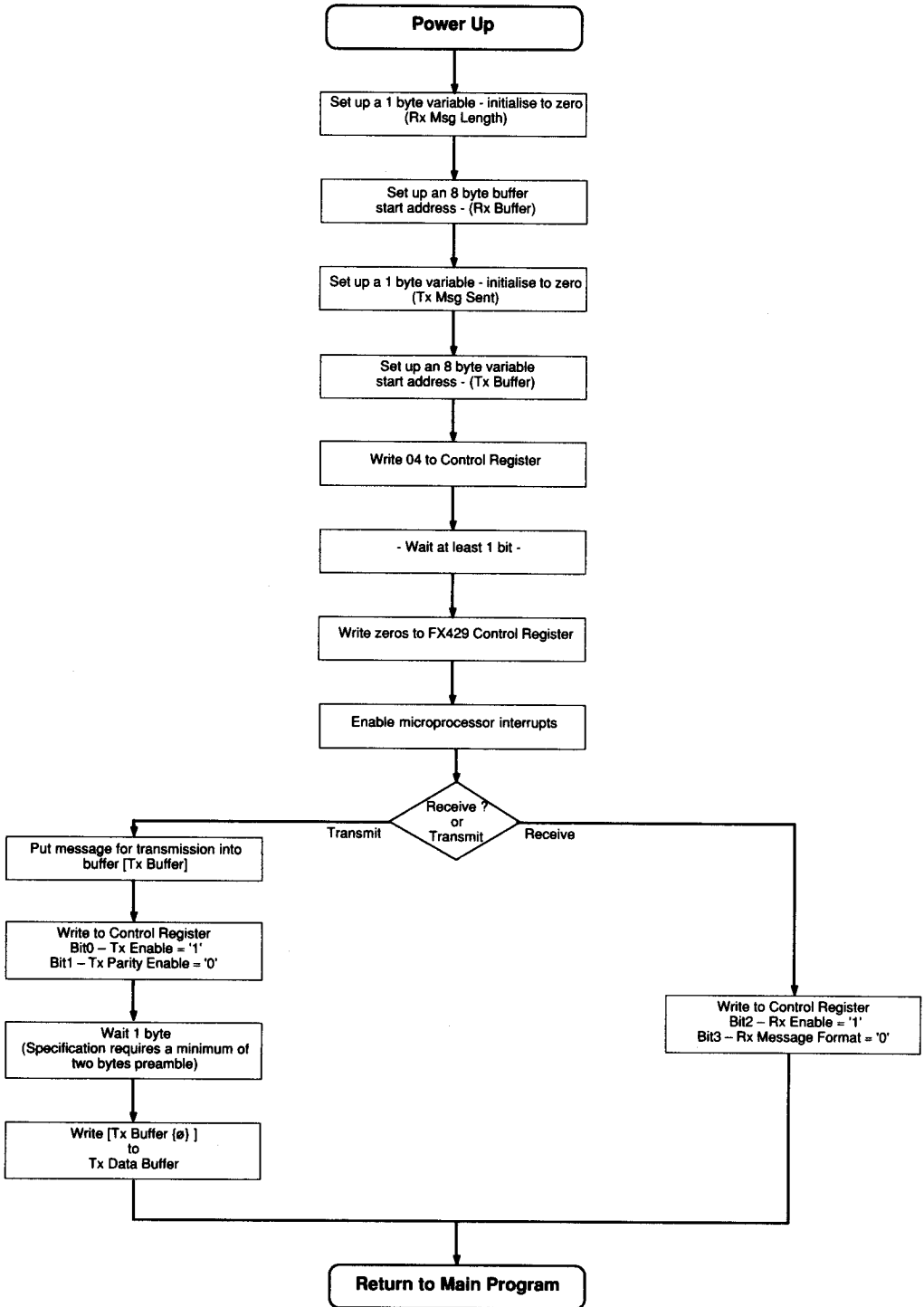


Fig. 8 Power-Up Flow

Basic Software Interrupt Flow

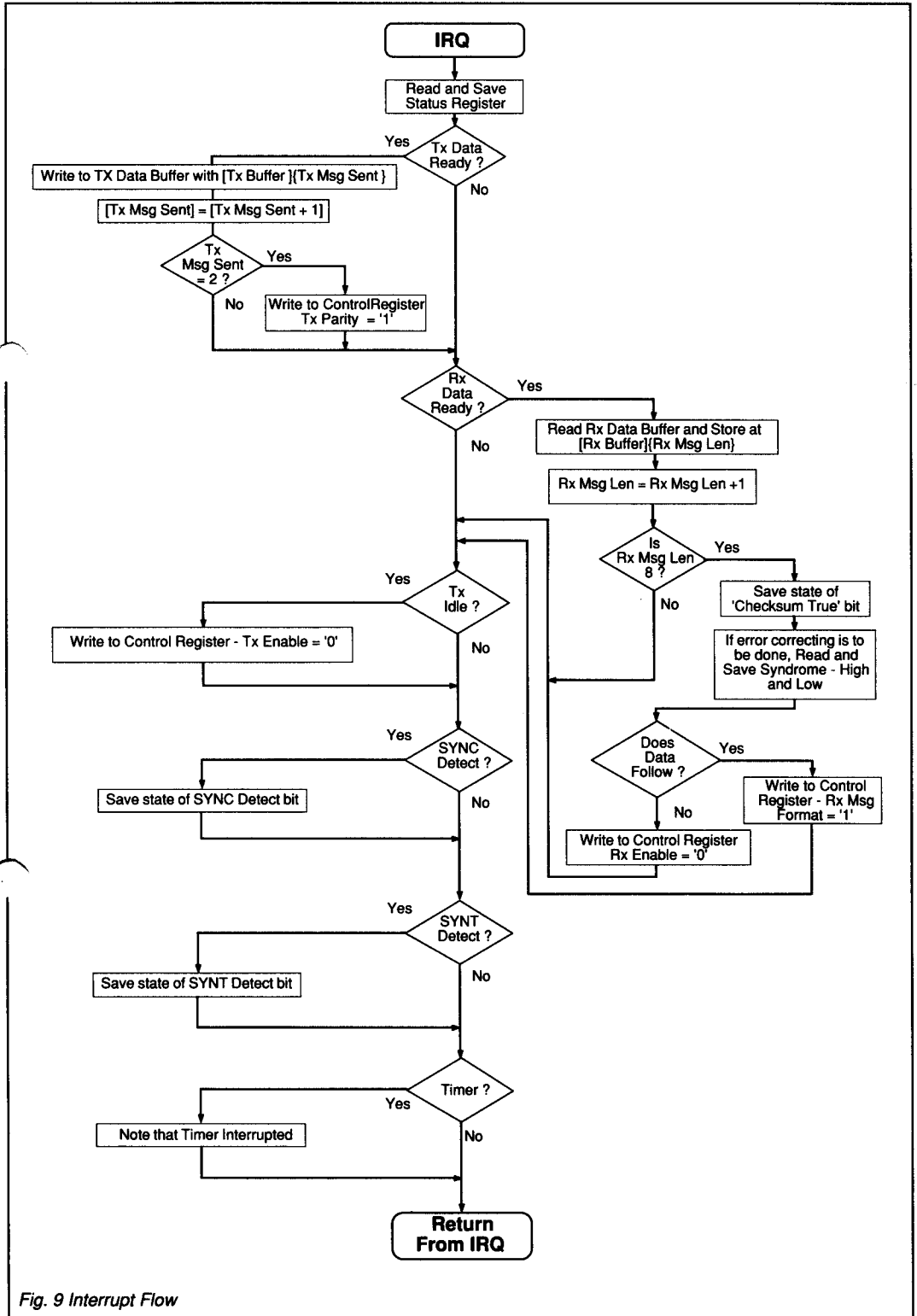


Fig. 9 Interrupt Flow

Specification

Absolute Maximum Ratings

Exceeding the maximum rating can result in device damage. Operation of the device outside the operating limits is not implied.

Supply voltage		-0.3 to 7.0V
Input voltage at any pin (ref $V_{SS} = 0V$)		-0.3 to ($V_{DD} + 0.3V$)
Sink/source current (supply pins)		+/- 30mA
(other pins)		+/- 20mA
Total device dissipation @ $T_{AMB} = 25^{\circ}C$		800mW Max.
Derating		10mW/ $^{\circ}C$
Operating temperature range:	FX429J	-30 $^{\circ}C$ to +85 $^{\circ}C$ (ceramic)
	FX429LG/LS	-30 $^{\circ}C$ to +70 $^{\circ}C$ (plastic)
Storage temperature range:	FX429J	-55 $^{\circ}C$ to +125 $^{\circ}C$ (ceramic)
	FX429LG/LS	-40 $^{\circ}C$ to +85 $^{\circ}C$ (plastic)

Operating Limits

All characteristics are measured using the following parameters unless otherwise specified:

$V_{DD} = 5.0V$, $T_{AMB} = 25^{\circ}C$. Xtal/Clock $f_0 = 4.032$ MHz. Audio level 0dB ref: = 300mV rms.

Bit Rate Bandwidth = 1200Hz.

Characteristics	See Note	Min.	Typ.	Max.	Unit
Static Values					
Supply Voltage		4.5	-	5.5	V
Supply Current Ranges					
Rx and Tx Enabled		-	-	7.0	mA
Rx Enabled, Tx Disabled		-	4.0	6.0	mA
Rx Disabled, Tx Enabled		-	-	7.0	mA
Rx and Tx Disabled	10	-	1.5	2.5	mA
Dynamic Values					
Modem Internal Delay		-	1.5	-	ms
Interface Levels					
Output Logic '1' Source Current	2	-	-	120	μA
Output Logic '0' Sink Current	3	-	-	360	μA
Three State Output Leakage Current		-	-	4.0	μA
D₀ - D₇, Data In/Out					
Logic '1' Level	1	3.5	-	-	V
Logic '0' Level		-	-	1.5	V
A₁, A₀, A₂, STROBE, IRQ					
Logic '1' Level	4	4.0	-	-	V
Logic '0' Level		-	-	1.0	V
Analogue Impedances					
Rx Input		100	-	-	k Ω
Tx Output (Enabled)		-	10	-	k Ω
Tx Output (Disabled)		-	5	-	M Ω
On-Chip Xtal Oscillator					
R_{IN}		10	-	-	M Ω
R_{OUT}	5	5.0	-	15	k Ω
Oscillator Gain		-	15	-	dB
Xtal frequency		-	4.032	-	MHz
Timing - (Fig. 5)					
Access Time	- (t_{ACS})	-	-	135	ns
Address Hold Time	- (t_{AH})	0	-	-	ns
Address Set-up Time	- (t_{AS})	0	-	-	ns
Data Hold Time (Write)	- (t_{DHW})	85	-	-	ns
Data Set-up Time (Write)	- (t_{DS})	0	-	-	ns
Output Hold Time (Read)	- (t_{OHR})	15	-	105	ns
Strobe Time	- (t_{ST})	140	-	-	ns

Specification

Characteristics	See Note	Min.	Typ.	Max.	Unit
Dynamic Values.....					
Receiver					
Signal Input Levels	6	-9.0	-2.0	+10.5	dB
Bit Error Rate	7				
@ 12dB Signal/Noise Ratio		-	7.0	-	10 ⁻⁴
@ 20dB Signal/Noise Ratio		-	1.0	-	10 ⁻⁸
Synchronization @ 12dB Signal/Noise Ratio	8				
Probability of Bit16 being correct		-	99.5	-	%
Carrier Detect Response Time	8	-	13.0	-	ms
Transmitter					
Output Level		-	8.25	-	dB
Output Level Variation		-1.0	-	+1.0	dB
Output Distortion		-	3.0	5.0	%
3rd Harmonic Distortion		-	2.0	3.0	%
Logic '1' Frequency	9	-	1200	-	Hz
Logic '0' Frequency	9	-	1800	-	Hz
Isochronous Distortion					
1200Hz – 1800Hz		-	25	40	µs
1800Hz – 1200Hz		-	20	40	µs

Notes

1. With each data line loaded as, C = 50pf and R = 10kΩ.
2. V_{OUT} = 4.6V.
3. V_{OUT} = 0.4V
4. Sink/Source currents ≤ 0.1mA.
5. Both Xtal and Xtal + 4 Outputs.
6. With 50dB Signal/Noise Ratio.
7. See Figure 3, Bit Error Rate.
8. This Response Time is measured using a 10101010101....01 pattern input signal at a level of 230mV rms (-2.3dB) with no noise.
9. Dependent upon Xtal tolerance.
10. Powersave is only active when both Rx and Tx functions are disabled.

Checksum Generation and Checking

Generation – The checksum generator takes the 48 bits from the 6 bytes loaded into the Tx Data Buffer and divides them modulo-2, by the generating polynomial:-

$$X^{15} + X^{14} + X^{13} + X^{11} + X^4 + X^2 + 1$$

It then takes the 15-bit remainder from the polynomial divider, inverts the last bit and appends an EVEN parity bit generated from the initial 48 bits and the 15 bit remainder (with the last bit inverted). This 16-bit word is used as the "Checksum."

Checking – The checksum checker does two things:

It takes the first 63 bits of a received message, inverts bit 63, and divides them modulo-2, by the generating polynomial:-

$$X^{15} + X^{14} + X^{13} + X^{11} + X^4 + X^2 + 1$$

The 15 bits remaining in the polynomial divider are checked for all zero.

Secondly, it generates an EVEN parity bit from the first 63 bits of a received message and compares this bit with the received parity bit (bit 64).

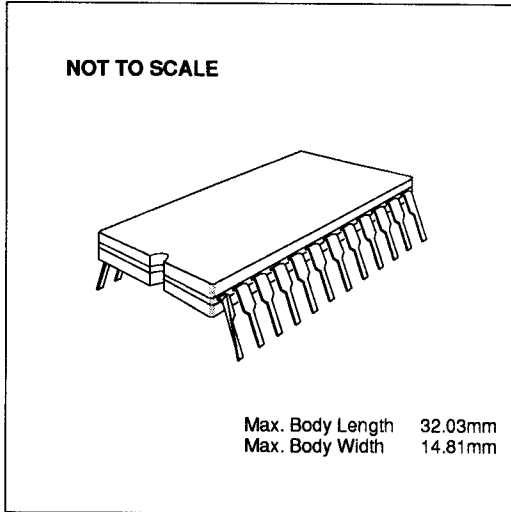
If the 15 bits in the polynomial divider are all zero, and the two parity bits are equal, then the Rx Checksum True bit (SR D_i) bit is set.

Package Outlines

The FX429 is available in the package styles outlined below. Mechanical package diagrams and specifications are detailed in Section 10 of this document.

Pin 1 identification marking is shown on the relevant diagram and pins on all package styles number anti-clockwise when viewed from the top.

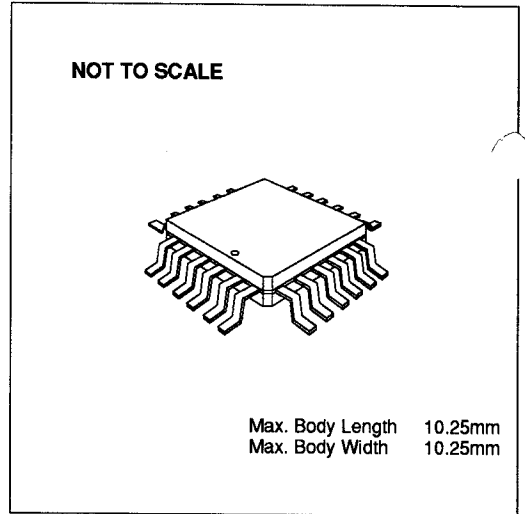
FX429J 24-pin cerdip DIL (J4)



Handling Precautions

The FX429 is a CMOS LSI circuit which includes input protection. However precautions should be taken to prevent static discharges which may cause damage.

FX429LG 24-pin quad plastic encapsulated bent and cropped (L1)



Ordering Information

FX429J 24-pin cerdip DIL (J4)

FX429LG 24-pin quad plastic encapsulated bent and cropped (L1)

FX429LS 24-lead plastic leaded chip carrier (L2)

FX429LS 24-lead plastic leaded chip carrier (L2)

